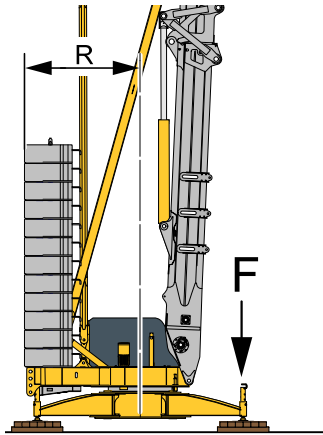


4.8 Reactions below the chassis

4.8.1 Reactions below the chassis

- FEM 1.001 version 3
- EN14439 - FEM 1.005



NT_003788_17



Note

F = Maximum load with wind, without dynamic coefficient

Reactions below the chassis, in service

| | |
|--------------------------------|--|
| If R = 2.50 m (8.202 ft) | F = 28,400 daN (63,845.7 lb _f) |
|--------------------------------|--|

Reactions below the chassis, out of service

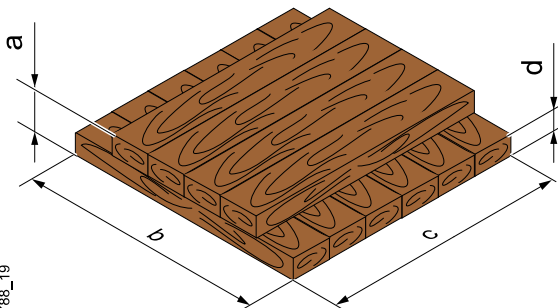
| | |
|--------------------------------|--|
| If R = 2.50 m (8.202 ft) | F = 28,900 daN (64,969.8 lb _f) |
|--------------------------------|--|

4.9 Installation

4.9.1 Installation on support plates

Support blocks

Support blocks for square support



ENU / 2018-06-18

NT_003788_19

| Technical data | |
|----------------|----------------------|
| a | 0.20 m (0.656 ft) |
| b | 1.10 m (3.609 ft) |
| c | 1.10 m (3.609 ft) |
| d | 0.10 m (0.328 ft) |

The height (a) of the blocks is given as a guide only.